

TS-Coaxial Switches

Model TS 610
SMA Connectors
SP6T-Failsafe, normally open



- 3-6 outputs
- low power consumption
- low weight
- small size
- high reliability

This switch family uses the same actuator type as our successful SPDT-switch TS 121. Low power consumption and low weight are thus significant features.

One of six independent solenoids is activated to connect the input port with one of the outputs. The other 5 output ports are left open.

The base model is a 28V- or 12V-version with SMA-connectors. Options include 3-5 output ports and SMB-connectors.

For detailed information please contact **Tesoel** representative in your country

Model TS 610 • SP6T • Failsafe • DC-18 GHz • SMA

ELECTICAL

Frequency Range (GHz)	DC-3	3-12	12-18
VSWR (Max)	1,1	1,35	1,5
Insertion Loss (Max dB)	0,2	0,3	0,5
Isolation (Min dB)	80	70	60
Average Power W (+20°C)	100	60	30

IMPEDANCE: 50 Ohm

RF-CIRCUIT: Break-Before-Make

SWITCH MODE: SP6T failsafe, normally open

CONNECTORS: SMA¹⁾- female

ACTUATING VOLTAGE: 28 VDC \pm 5 V DC 12 V \pm 2,4 V

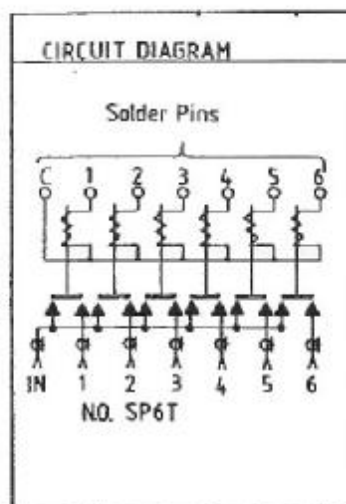
ACTUATING CURRENT: 40 mA (+20° C) 75 mA

SWITCHING TIME: 15 ms

1) Available with SMB

HOW TO ORDER:

TS 610	DC-3	DC-18
28V	-01	-00
12V	-11	-10



MECHANICAL

RF-CONNECTORS: Stainless Steel, Beryllium-Copper

RF-CIRCUIT: Aluminum, nickelplated and goldplated contacts

WEIGHT: 125 Grams

TEMPERATURE: -40° C to +85° C

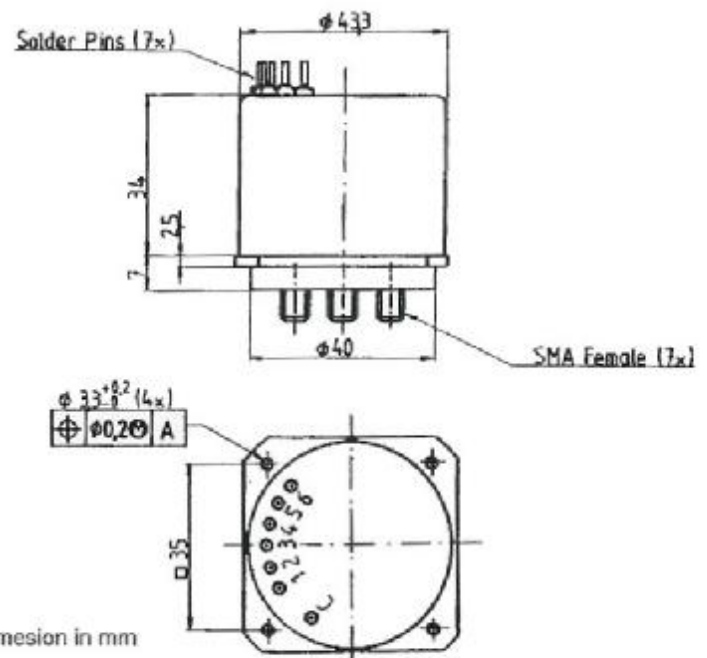
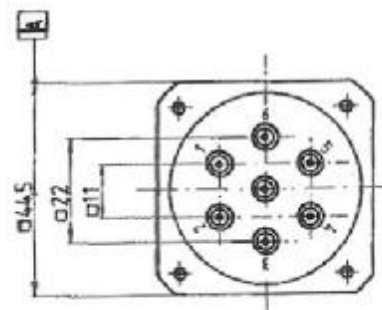
OPERATING LIFE: 1 Million operations

PROTECTION: Splash proof

VIBRATION: Sine 1mm, 5-60 Hz.

Sine 10 g, 60-2000 Hz.

TERMINALS: Solder pins



Tesoel AB

Jordbrotorpsvägen 3B
136 50 Haninge, Sweden
Tel: +46 (0)8 50 01 05 10
Fax: +46 (0)8 50 01 05 32
www.tesoel.se

Representative: